



293 Wright St., Delavan, WI 53115

Phone: 1-800-468-7867

Fax: 1-800-390-5351

OWNER'S MANUAL

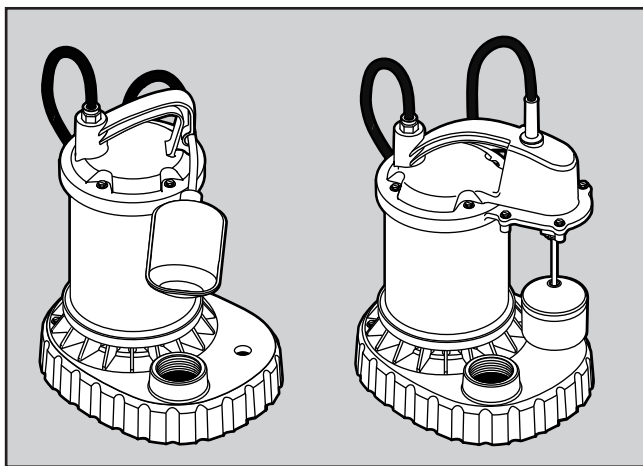
## Submersible Sump Pumps

NOTICE D'UTILISATION

## Pompes submersibles pour puisard

MANUAL DEL USUARIO

## Bombas sumergibles para sumideros



**3983**  
**3985**

**3984**  
**3986**  
**3988**

### Installation/Operation/Parts

*For further operating,  
installation, or maintenance  
assistance:*

Call 1-800-468-7867

English ..... Pages 2-9

### Installation/Fonctionnement/Pièces

*Pour plus de renseignements  
concernant l'utilisation,  
l'installation ou l'entretien,*

Composer le 1 (800) 468-7867

Français ..... Pages 10-17

### Instalación/Operación/Piezas

*Para mayor información sobre  
el funcionamiento, instalación o  
mantenimiento de la bomba:*

Llame al 1-800-468-7867

Español .....Paginas 18-25

## DESCRIPTION

This Submersible Sump Pump is designed for home sumps. The permanent split capacitor motor is oil filled, sealed for cooler running, and has automatic-reset thermal protection. Ball bearings on the motor shaft never need lubrication. The power cord is a 3-wire, grounding-type cord.

## SPECIFICATIONS

Power supply .....115V, 60 HZ., 15 Amp Circuit  
Liquid Temp. Range.....32°F to 70°F(0°-21°C)  
Individual Branch Circuit Required (min.) .....15 Amps  
Discharge:.....1-1/2" Female NPT

This pump is designed for use in a residential sump only. Pump water only with this pump.

**NOTICE:** This unit is not designed for applications involving salt water or brine! Use with salt water or brine will void warranty.

**NOTICE:** Read this Owner's Manual for installation, operation, and safety information.

## GENERAL SAFETY INFORMATION

Your automatic sump pump should give years of trouble-free service when correctly installed, maintained, and used. However, interruption of power to the pump, dirt/debris in the sump, flooding that exceeds the pump's capacity, electrical or mechanical failure in the pump, etc., may prevent normal pump operation. To help prevent damage from flooding, purchase a secondary AC sump pump, a DC backup sump pump, and/or a high water alarm. See the "Troubleshooting Chart" in this manual for information about common sump pump problems and remedies. For more information, call Simer customer service at 1-800-468-7867.

**▲WARNING** Hazardous voltage. To reduce the risk of hazardous or fatal electrical shock, follow instructions A through D, below:

- A. This pump has an approved 3-conductor power cord with 3-prong, grounding-type plug. Connect the pump only to a properly grounded, 3-prong outlet. If the sump pump circuit has a 2-prong outlet, replace it with a grounded 3-prong outlet installed according to code.**
- B. Unplug the pump before handling or servicing it. If your basement floor is wet, turn off all power before walking on it. If the shut-off box is in the basement, call your electric company or hydro authority to shut off service to the house, or call your local fire department for instructions. After turning off the power, remove the pump for service.**

**C. Protect the electrical cords from sharp objects, hot surfaces, oil, and chemicals. Avoid kinking the cords. Replace damaged or worn cords.**

**D. Do not lift the pump by the power cord.**

**▲WARNING** Plastic pipe glue is extremely flammable.

Follow the glue manufacturer's instructions when assembling glued plastic pipe.

**▲CAUTION** Burn hazard. Modern motors may run hot. Allow 20 minutes to cool before handling.

- 1. Know the pump application, limitations, and potential hazards.
- 2. **Do not use this pump in water with fish present.**
- 3. Drain the system completely before servicing it.
- 4. To prevent a flexible discharge line from whipping, which could cause injury or damage, fasten it down before starting the pump.
- 5. Before each use, check any hoses in the system for weakness or wear. Make certain that all connections are tight.
- 6. Periodically inspect the sump, the pump, and the piping for debris and foreign objects. Perform routine cleaning as required.
- 7. Personal Safety:
  - a. Wear safety glasses at all times when working with pumps.
  - b. Keep your work area clean, uncluttered and properly lighted; put away all unused tools and equipment.
  - c. Keep visitors at a safe distance from the work area.
  - d. Make workshop child-proof with padlocks and master switches. Remove any starter keys.
- 8. This pump installation must meet all applicable laws, codes, and ordinances.

### Tools Required:

Pipe wrench, Strap Wrench, or Slip-Joint Pliers, Hacksaw, Screw Driver, File or Sandpaper

### Materials Required:

1-1/2" ABS or PVC Pipe with Cement to match Threaded Adapter (Pipe to Pump)

Check Valve – Purchase a check valve that goes in the discharge line or in the pump discharge. If your check valve does not have a 1/8" anti-airlock hole, drill one in the discharge pipe just below the check valve. Be sure to install the check valve so that the flow will be away from the pump.

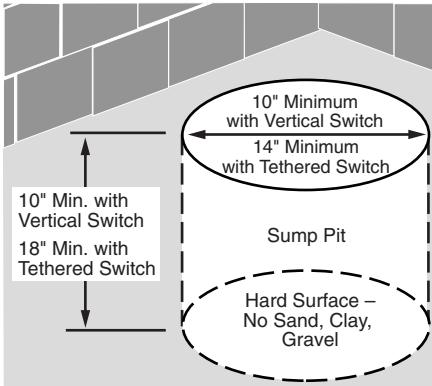


Figure 1

- 1A. Minimum sump size: 10" (254mm) diameter by 10" (254mm) depth for vertical switch models; 14" (356mm) diameter by 18" (457mm) depth for tethered switch models.
- 1B. Construct the sump pit of tile, concrete, steel, or plastic; it must meet code requirements.
- 1C. No clay, earth, sand, or gravel in the sump (they will clog the pump). Keep the pump inlet screen clear.

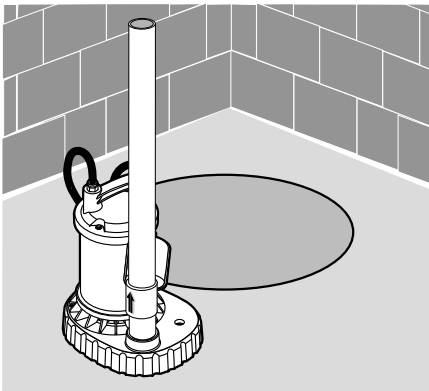


Figure 2

- 2A. Install the discharge plumbing and check valve, using teflon tape - NOT pipe joint compound.
- 2B. Tighten the pipe into the pump (hand tight + 1-1/2 turns).
- 2C. Install a check valve in the vertical pipe to prevent flow backwards through the pump when it shuts off. **To prevent airlocking the pump**, drill a 1/8" (3.2 mm) hole in the discharge pipe just above where it screws into the pump discharge. Install the check valve above this hole, but keep it as close to the pump as possible. Be sure the hole is below the waterline and below the check valve.

- 2D. To reduce noise and vibration, cut the discharge pipe near the pump and fasten a short length of rubber hose (1-7/8" (48 mm) I.D., e.g. radiator hose) into it with hose clamps.

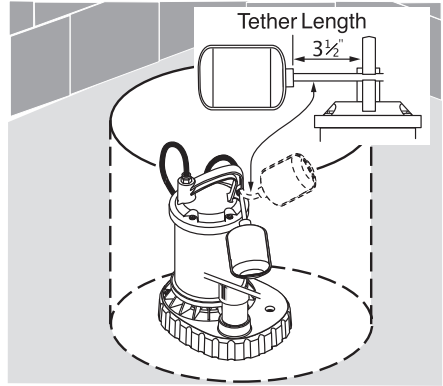


Figure 3

3. Place the pump in the sump; make sure that nothing interferes with switch operation. For tethered switch models, the tether length should be 3-1/2" (See Figure 3).

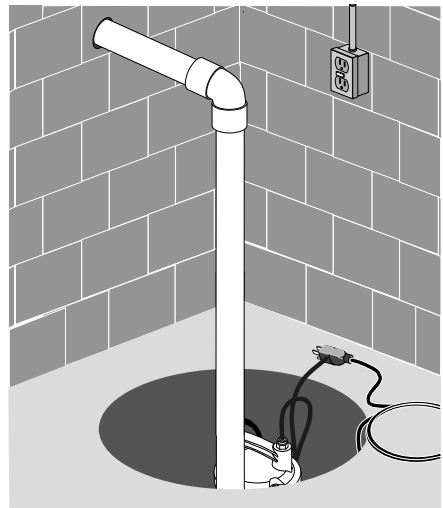


Figure 4

4. Finish installing the necessary plumbing. Follow the glue manufacturer's instructions for safety precautions and curing time.

**CAUTION** Risk of flooding. Make sure the pump cannot move in the sump. If the pump moves when it runs, the piping or sump wall may interfere with the switch and prevent the pump from starting or stopping.

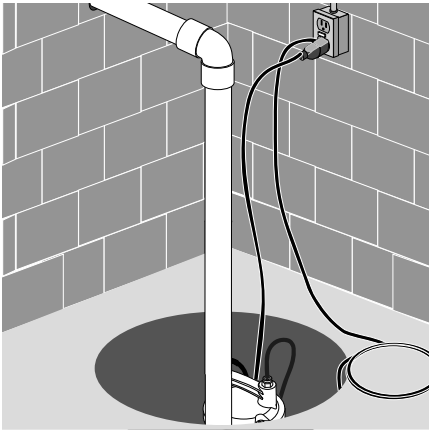


Figure 5

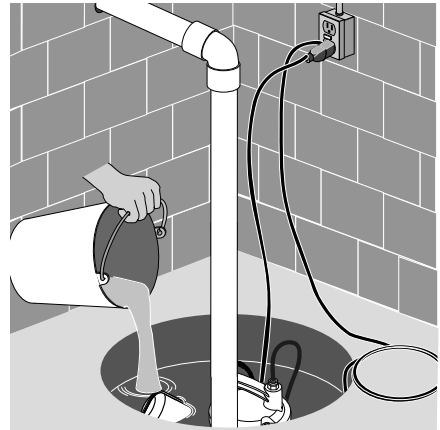


Figure 6

- 5A. Power Supply: This pump requires a 115 V., 60 Hz., 15 amp individual branch circuit. The circuit must be grounded and should be dedicated to the sump pump.
- 5B. The pump is supplied with a 3-wire cord set with grounding-type plug. Plug the switch directly into the outlet and plug the pump into the opposite end of the switch's plug.

**⚠ WARNING** Electrical shock hazard. Always ground the pump to a suitable electrical ground, such as a grounded water pipe, a properly grounded metallic raceway, or a ground wire system. Do not cut off the round ground pin.

- 6A. After you have installed the piping, check valve, and float switch, the pump is ready for operation.
- 6B. Check the pump by filling the sump with water and observing the pump's operation through one complete cycle. For switch settings see the Electrical and Switch Specifications chart on Page 5.

**⚠ WARNING** Failure to make this operational check may lead to improper operation, premature failure, and flooding.

1. The shaft seal depends on water for lubrication. Do not operate the pump unless it is submerged in water; running it dry may damage the seal.
2. If the pump overheats, an automatic-reset thermal protector cuts off the power and stops the motor before it can be damaged. The motor will automatically restart when it cools. If the protector trips repeatedly, unplug the pump, remove it from the sump, and check it for the cause of the difficulty. Low voltage, long extension cords, clogged impeller, very low lift, a plugged or frozen discharge pipe, etc., can all cause cycling and overheating.
3. This pump will not remove all the water in the sump. If you are running the pump manually and water stops coming out of the discharge, the pump has probably run dry. Shut it off immediately and check the water level.

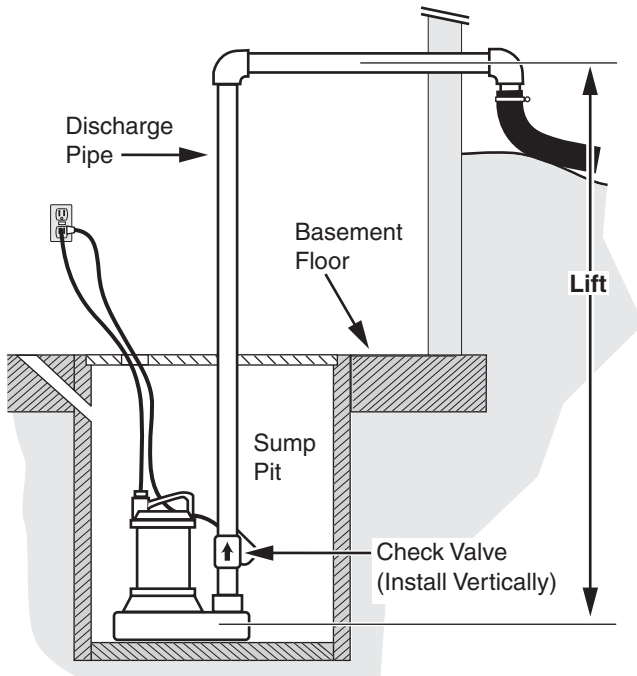
™ E.I. DuPont De Nemours and Company Corporation, Delaware.

**PERFORMANCE**

GPH AT TOTAL FEET OF LIFT (See Figure 7)					
Model	5 ft.	10 ft.	15 ft.	20 ft.	No flow at height shown below
CAPACITY GALLONS/HOUR					
3983	4,020	3,540	3,000	1,800	26'
3984	4,020	3,540	3,000	1,800	26'
3985	4,380	3,840	3,300	2,340	28'
3986	4,380	3,840	3,300	2,340	28'
3988	4,700	4,100	3,500	2,820	29'

**ELECTRICAL & SWITCH SPECIFICATIONS**

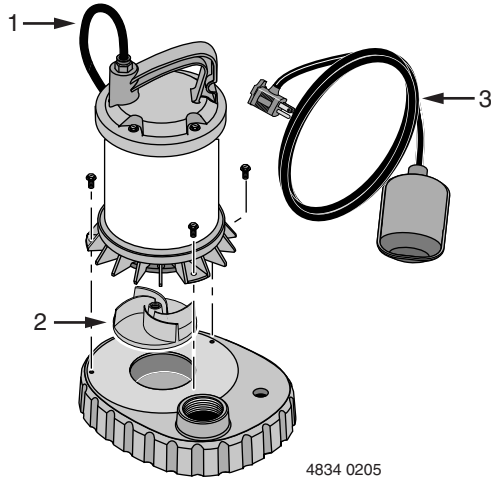
Model	Motor HP	Motor Full Load Amps	Individual Branch Circuit Req. (Amps)	*Switch Setting in inches Water Level For:	
				On	Off
3983	1/3	5.8	15	15"	7"
3984	1/3	5.8	15	6-1/2"	3"
3985	1/2	6.3	15	15"	7"
3986	1/2	6.3	15	6-1/2"	3"
3988	3/4	7.0	15	6-1/2"	3"



**Figure 7 – LIFT:** Lift is the vertical distance the pump actually lifts water. The higher the lift, the lower the flow.

**NOTE:** The friction caused by water running through the pipe will also, on longer pipe runs, reduce the flow.

3983, 3984  
 3985, 3986  
 3988



4834 0205

Key No.	Part Description	Qty.	3983	3984	3985
1	Power Cord Assembly	1	PW17-281	PW17-281	PW17-281
2	Impeller†	1	PS5-33P	PS5-33P	PS5-34P
3	Tethered Float Switch Assembly	1	FP18-15BD	–	FP18-15BD
•	Vertical Float Switch Assembly	1	–	FPS17-66	–

Key No.	Part Description	Qty.	3986	3988
1	Power Cord Assembly	1	PW17-281	PW17-281
2	Impeller†	1	PS5-34P	PS5-35P
•	Vertical Float Switch Assembly	1	FPS17-66	FPS17-66

• Not illustrated.

**NOTE:** If motor fails, replace entire pump.

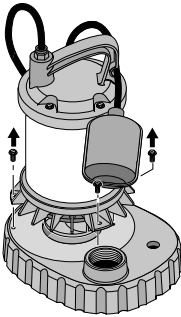
† See Page 8 for impeller replacement instructions.

## TROUBLESHOOTING CHART

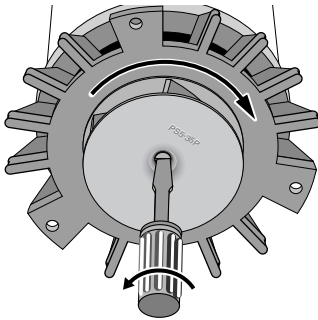
**⚠ WARNING** Risk of electrical shock. Unplug the pump before touching it or servicing it.

SYMPTOM	PROBABLE CAUSE(S)	CORRECTIVE ACTION
Pump won't start or run.	<p>Pump is not plugged in. Blown fuse. Low line voltage.</p> <p>Defective motor. Defective float switch. Clogged or jammed Impeller.</p> <p>Obstructed float.</p>	<p>Make sure the pump is plugged into a proper outlet. Replace the fuse with a fuse of proper size. Check the size of the wiring on the circuit feeding the pump and from the main switch on the property. If everything is OK, contact your power company or hydro authority. Replace the pump. Replace the float switch. If the impeller won't turn, unplug the pump, remove the lower pump body, and locate the source of the binding. Replace the impeller if necessary. Move the pump in the sump or remove the obstruction.</p>
Pump starts and stops too often.	<p>Backflow of water from piping. Faulty float switch.</p>	<p>Install or replace the check valve. Replace the float switch.</p>
Pump won't shut off.	<p>Defective float switch. Restricted discharge (obstacle or ice in the piping). Obstructed float. Restricted intake screen.</p>	<p>Replace the float switch. Unplug the pump, remove it from the sump, and clean the pump and piping. Move the pump in the sump or remove the obstruction. Unplug the pump, remove it from the sump, and clean the intake screen and impeller.</p>
Pump operates but delivers little or no water.	<p>Low line voltage.</p> <p>Debris caught in the impeller. Worn or defective parts or plugged impeller. Check valve installed without vent hole</p> <p>Restricted intake screen. Check valve is installed either backward or upside down.</p>	<p>If the voltage is below 110 volts, check the size of the wiring from the main switch on the property. If OK, contact your power company or hydro authority. Remove the pump and clean out the impeller. Clean the impeller if it's plugged; replace the impeller if necessary; otherwise replace the pump. Drill a 1/8" (3mm) dia. hole between the pump discharge and the check valve (1-2" above the pump discharge and below the waterline). Remove the pump and clean out the intake screen. Be sure the check valve is installed correctly (the flow arrow should point away from the pump).</p>

**First:** Turn off power to the pump, disconnect the discharge piping, and lift the pump out of the sump BY THE HANDLE ON TOP OF THE MOTOR (not by the cord).

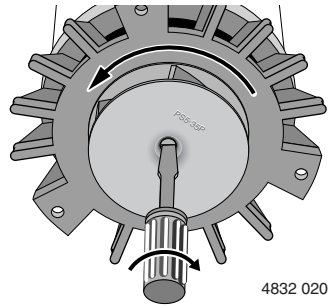


**Step 1:** Remove the three screws holding the motor to the base and lift the motor off the base.

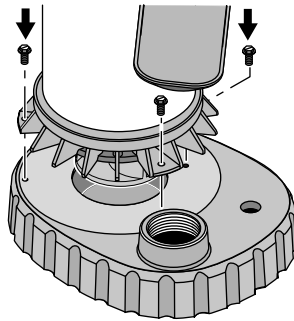


**Step 2:** Hold the motor shaft with a screwdriver and unscrew the impeller as shown.

**NOTE:** The impeller has a **left-hand thread**, so it loosens to the right (↺).



**Step 3:** Thread the new impeller onto the motor shaft as shown (**left-hand thread** – tightens to the left ↻).



**Step 4:** Re-mount the motor on the base. Be sure to mount it so that the switch is clear of the discharge and all other obstructions in the sump.

**Last:** Run the pump through one complete cycle after it is assembled and reinstalled. It should operate correctly and you should not hear any sounds of scraping or dragging from the pump.



ATTACH ORIGINAL RECEIPT HERE FOR WARRANTY CONSIDERATION.

Simer Limited Warranty

SIMER warrants to the original consumer purchaser ("Purchaser") of its products that they are free from defects in material or workmanship.

If within twelve (12) months from the date of the original consumer purchase any such product shall prove to be defective, it shall be repaired or replaced at SIMER's option, subject to the terms and conditions set forth below. Your original receipt of purchase is required to determine warranty eligibility.

Exceptions to the Twelve (12) Month Warranty

Table with 2 columns: Product/Model No. and Warranty Period. Rows include M40P, M40, BW85P, CM10, CMK (90 days); 2330, 2300, 2955, 2956, 2957, A5500 (2 Years); 4" Submersible Well Pumps (3 Years); Pre-Charge Water System Tank (5 Years); 3988, 3995, 3997, 3963 (Lifetime).

General Terms and Conditions

Purchaser must pay all labor and shipping charges necessary to replace product covered by this warranty. This warranty shall not apply to acts of God, nor shall it apply to products which, in the sole judgement of SIMER, have been subject to negligence, abuse, accident, misapplication, tampering, alteration; nor due to improper installation, operation, maintenance or storage; nor to other than normal application, use or service, including but not limited to, operational failures caused by corrosion, rust or other foreign materials in the system, or operation at pressures in excess of recommended maximums.

Requests for service under this warranty shall be made by returning the defective product to the Retail outlet or to SIMER as soon as possible after the discovery of any alleged defect. SIMER will subsequently take corrective action as promptly as reasonably possible. No requests for service under this warranty will be accepted if received more than 30 days after the term of the warranty.

This warranty sets forth SIMER's sole obligation and purchaser's exclusive remedy for defective products.

SIMER SHALL NOT BE LIABLE FOR ANY CONSEQUENTIAL, INCIDENTAL, OR CONTINGENT DAMAGES WHATSOEVER.

THE FOREGOING WARRANTIES ARE EXCLUSIVE AND IN LIEU OF ALL OTHER EXPRESS WARRANTIES. IMPLIED WARRANTIES, INCLUDING BUT NOT LIMITED TO THE IMPLIED WARRANTIES OF MERCHANTABILITY AND FITNESS FOR A PARTICULAR PURPOSE, SHALL NOT EXTEND BEYOND THE DURATION OF THE APPLICABLE EXPRESS WARRANTIES PROVIDED HEREIN.

Some states do not allow the exclusion or limitation of incidental or consequential damages or limitations on how long an implied warranty lasts, so the above limitations or exclusions may not apply to you. This warranty gives you specific legal rights and you may also have other rights which vary from state to state.

SIMER • 293 Wright Street • Delavan, WI U.S.A. 53115
Phone: 1-800-468-7867/1-800-546-7867 • Fax: 1-800-390-5351
E-Mail: info@simerpumps.com • Web Site: http://www.simerpumps.com

## DESCRIPTION

Cette pompe submersible est conçue pour être utilisée dans un puisard domestique. Le moteur à condensateur permanent est étanche et rempli d'huile pour moins chauffer pendant sa rotation. Il est également doté d'une protection thermique contre les surcharges à réarmement automatique. Les roulements à billes de l'arbre du moteur ne requièrent aucun graissage. Le cordon électrique est à 3 conducteurs, dont un de mise à la terre.

## CARACTÉRISTIQUES

Courant d'alimentation : 115 volts, 60 Hz, circuit de 15 ampères  
 Plage des températures du liquide ..... De 0 ° à 21 °C (de 32 ° à 70 °F)  
 Circuit individuel requis (min.) ..... 15 ampères  
 Refoulement : ..... 1 1/2 pouce NPT femelle

Cette pompe est conçue pour être utilisée dans un puisard résidentiel. Ne pomper que de l'eau avec cette pompe.

**REMARQUE :** Cette pompe n'est pas conçue pour pomper de l'eau salée ni de la saumure ! Pomper de l'eau salée ou de la saumure annulera la garantie.

**REMARQUE :** Lire attentivement cette Notice d'utilisation pour l'installation, le fonctionnement et les consignes de sécurité.

## CONSIGNES DE SÉCURITÉ GÉNÉRALES

Cette pompe de puisard à fonctionnement automatique fournira de nombreuses années de service sans incident si elle est posée, entretenue et utilisée adéquatement. Toutefois, certaines circonstances inhabituelles (interruption du courant alimentant la pompe, saletés, débris dans le puisard, inondation dépassant le débit de la pompe, pannes mécaniques ou électriques de la pompe, etc.), peuvent empêcher la pompe de fonctionner normalement. Pour empêcher toute possibilité de dommages causés par l'eau suite à une inondation, acheter une pompe de puisard secondaire fonctionnant sur le courant alternatif, une pompe de puisard de secours fonctionnant sur le courant continu ou une alarme de niveau haut d'eau. Se reporter au « Tableau de recherche des pannes » de cette Notice pour tout renseignement concernant les problèmes courants des pompes de puisard et comment y remédier. Pour de plus amples renseignements, appeler le Service à la clientèle Simer en composant le 1 (800) 468-7867.

**⚠ AVERTISSEMENT** Tension dangereuse. Pour réduire les risques de secousses électriques dangereuses, voire mortelles, observer les instructions A à D qui suivent :

- A. Cette pompe est munie d'un cordon électrique approuvé à 3 conducteurs muni d'une fiche à 3 broches, dont une de mise à la terre. Brancher le cordon dans une prise de courant à 3 trous adéquatement mise à la terre. Si la prise de courant du circuit de cette pompe ne comporte que 2 trous, la faire remplacer par une à 3 trous, dont un de mise à la terre, installé conformément au code.
- B. Débrancher la pompe avant de la manipuler ou de l'entretenir. Si le plancher du sous-sol est humide, ne pas marcher dessus tant que le courant n'aura pas été coupé. Si le coffret des disjoncteurs se trouve au sous-sol, appeler la compagnie d'électricité pour lui demander de couper le branchement de l'habitation, ou bien appeler le Service des incendies local pour de plus amples renseignements. Après avoir coupé le courant qui alimente la pompe de puisard, la sortir pour l'entretenir.

- C. Protéger le cordon électrique contre les objets tranchants, les surfaces chaudes, l'huile et les produits chimiques. Éviter de le tordre. Le remplacer ou le réparer immédiatement s'il est usé ou endommagé.

- D. Ne pas lever la pompe par son cordon électrique.

**⚠ AVERTISSEMENT** La colle pour tuyaux plastiques est extrêmement inflammable. Pour coller des tuyaux en plastique, suivre le mode d'emploi du fabricant de la colle.

**⚠ ATTENTION** Risque de brûlures. Les moteurs modernes fonctionnent par des températures élevées. Les laisser refroidir pendant 20 minutes avant de les manipuler.

1. Il faut connaître les utilisations de la pompe, ses limites et les dangers potentiels que présente son utilisation.
2. Ne pas utiliser cette pompe s'il y a présence de poisons dans l'eau.
3. Vider toute l'eau contenue dans le système avant de procéder à son entretien.
4. Pour empêcher que le tuyau de refoulement se mette à fouetter, ce qui risquerait de causer des blessures ou des dommages, l'attacher avant de démarrer la pompe.
5. Chaque fois, et avant d'utiliser la pompe, s'assurer que les tuyaux souples ne montrent pas de signes d'usure ou de faiblesse et s'assurer que tous les raccords sont bien serrés.
6. Inspecter périodiquement le puisard, la pompe et la tuyauterie à la recherche de débris et de corps étrangers. Au besoin, prévoir à un entretien périodique.
7. Sécurité personnelle :
  - a. Toujours porter des lunettes de sécurité pour intervenir sur une pompe.
  - b. Garder la zone de travail propre, non encombrée et bien éclairée; remettre en place tous les outils et tous les équipements que l'on n'utilisent plus.
  - c. Empêcher les visiteurs de s'approcher de la zone de travail.
  - d. La zone de travail doit être à l'épreuve des enfants en posant des cadenas, des interrupteurs principaux ou en retirant la clé des démarreurs.
8. L'installation de cette pompe doit être conforme à toutes les lois, codes et décrets en vigueur.

### Outils requis :

Clé à tuyaux, clé à courroie ou pince multiprise,

Scie à métaux

Tournevis

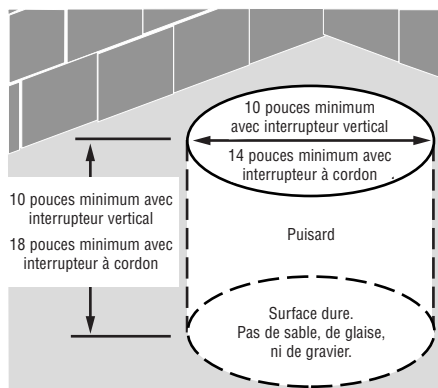
Lime ou papier abrasif

### Matériaux requis :

Tuyau en ABS ou en PCV de 1 1/2 pouce et de la colle

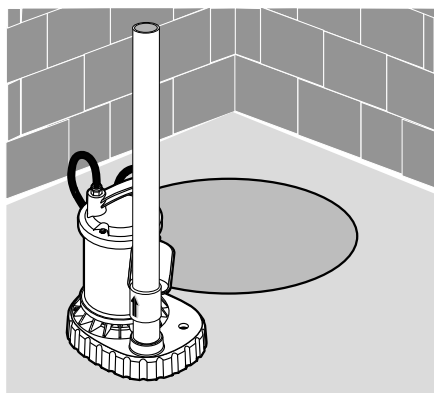
Un adaptateur fileté (tuyau sur pompe)

Clapet de non-retour – Achetez un clapet de non-retour qui s'insère dans la conduite de refoulement ou le tuyau de refoulement de pompe. Si le clapet antiretour n'est pas percé d'un trou antibouchon d'air de 1/8 de pouce, en percer un dans le tuyau de refoulement, juste au-dessus du corps de la pompe, mais sous le clapet. S'assurer de poser le clapet antiretour de façon que la flèche indiquant le sens du débit soit orientée à l'opposé de la pompe.



**Figure 1**

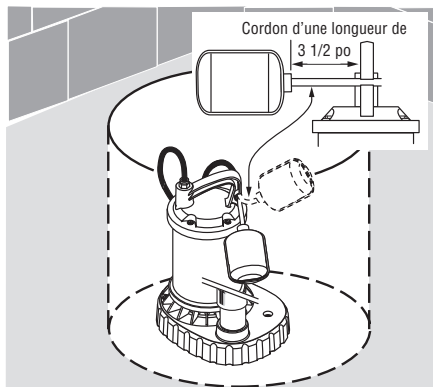
- 1A. Diamètre minimum du puisard : 25,4 cm (10 pouces) de diamètre par 25,4 cm (10 pouces) de profondeur pour les modèles à interrupteur vertical; 35,6 cm (14 pouces) de diamètre par 45,7 cm (18 pouces) pour les modèles à interrupteur à cordon.
- 1B. Construction du puisard : en carreaux, en béton, en acier ou en plastique, conformément aux codes.
- 1C. Pas de glaise, de terre, de sable ni de gravier dans le puisard (ils boucheront la pompe). La crépine d'aspiration de la pompe doit toujours être dégagée.



**Figure 2**

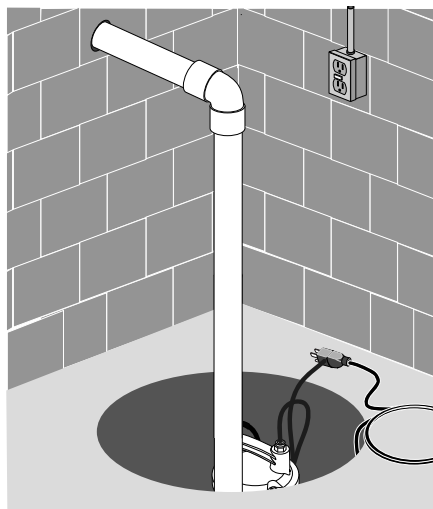
- 2A. Brancher le tuyau de refoulement et le clapet antiretour en utilisant du ruban d'étanchéité en téflon – PAS de pâte pour raccords filetés.
- 2B. Visser le tuyau de refoulement dans la pompe (à la main, + 1 1/2 tour).
- 2C. Installer le clapet antiretour sur le tuyau vertical pour que le liquide ne retourne pas dans la pompe pendant qu'elle est arrêtée. **Pour empêcher la formation de bouchons d'air dans la pompe;** percer un trou de 3,2 mm (1/8 de pouce) dans le tuyau de refoulement, juste au-dessus où il se visse dans le refoulement de la pompe. Poser le clapet antiretour au-dessus de ce trou et aussi près que possible de la pompe. S'assurer que le trou est plus bas que la ligne d'eau et que le clapet antiretour.

- 2D. Pour réduire le bruit et les vibrations, couper le tuyau de refoulement près de la pompe, puis poser un petit morceau de tuyau en caoutchouc (un morceau de durite de radiateur (4,8 cm (1-7/8 pouces), par ex.) sur le tuyau de refoulement; le faire tenir avec des colliers.



**Figure 3**

3. Mettre la pompe dans les puisards en s'assurant que rien ne gênera le fonctionnement de l'interrupteur. Pour les modèles d'interrupteur à cordon, la longueur du cordon devrait être de 3 1/2 po (Se reporter à la figure 3).



**Figure 4**

4. Terminer l'installation de la tuyauterie. En ce qui concerne les consignes de sécurité et les temps de séchage de la colle, se reporter au mode d'emploi du fabricant.

**ATTENTION** Risque d'inondation. S'assurer que la pompe ne peut pas se déplacer dans le puisard. Si la pompe se déplace pendant qu'elle fonctionne, les tuyaux ou la paroi du puisard risquent de gêner le fonctionnement de l'interrupteur et empêcher la pompe de démarrer ou de s'arrêter.

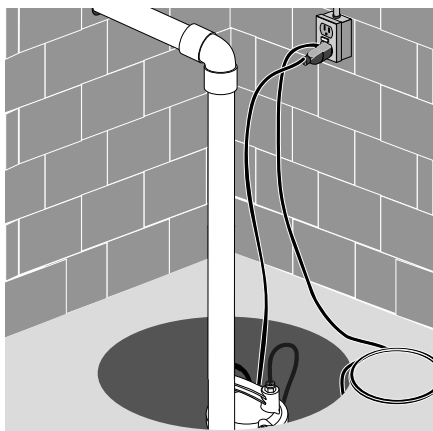


Figure 5

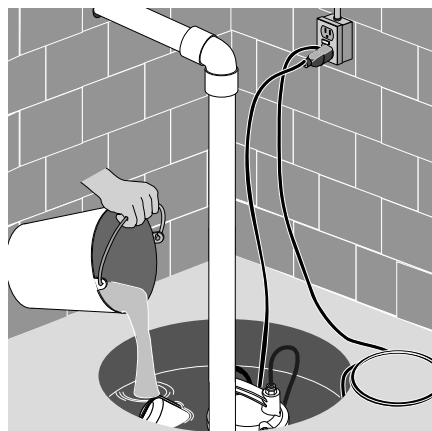


Figure 6

- 5A. Courant d'alimentation : Cette pompe doit être branchée sur un circuit séparé de 15 ampères, 115 volts, 60 Hz. Le circuit doit être mis à la terre et réservé exclusivement au branchement de cette pompe de puisard.
- 5B. La pompe est livrée avec un cordon électrique à 3 conducteurs muni d'une fiche mise à la terre. Brancher l'interrupteur directement dans la prise de courant, puis la pompe à l'arrière de la prise de l'interrupteur.

**⚠ AVERTISSEMENT** Risque de secousses électriques.

Toujours mettre la pompe à la terre sur une terre électrique adéquate, comme un tuyau d'eau mis à la terre ou un chemin de câbles métallique adéquatement mis à la terre ou un système de fils de mise à la terre. Ne jamais couper la broche ronde de mise à la terre.

- 6A. Après avoir branché la tuyauterie, le clapet antiretour et l'interrupteur à flotteur, la pompe est prête à fonctionner.
- 6B. Vérifier le fonctionnement de la pompe en remplissant le puisard et en observant son fonctionnement sur un cycle complet. Pour les réglages de l'interrupteur, se reporter au « Tableau des caractéristiques électriques et de l'interrupteur » de la page 13.

**⚠ AVERTISSEMENT** Ne pas procéder à cette vérification risque de causer un fonctionnement inadéquat, et une panne prématurée de la pompe, voire une inondation.

1. Le joint de l'arbre dépend de l'eau pour être lubrifié. Ne pas faire fonctionner la pompe si elle n'est pas immergée dans l'eau, sinon le joint de l'arbre sera endommagé.
2. Si la pompe surchauffe, un protecteur contre les surcharges thermiques à réencenchement automatique coupera le courant et arrêtera le moteur de fonctionner avant qu'il soit endommagé. Dès qu'il aura refroidi, le moteur redémarrera automatiquement. Si le protecteur se déclenche constamment, débrancher la pompe, la sortir du puisard et rechercher la cause de cet incident. Une basse tension et l'utilisation d'un cordon prolongateur trop long, un impulseur colmaté, une hauteur de refoulement très base, un tuyau de refoulement bouché ou gelé, etc., risquent de causer cet incident ou la surchauffe.
3. Cette pompe ne videra pas toute l'eau du puisard. Si on la fait fonctionner manuellement et que l'eau ne sort plus par le tuyau de refoulement, la pompe a probablement fonctionné à sec. L'arrêter immédiatement et vérifier le niveau d'eau.

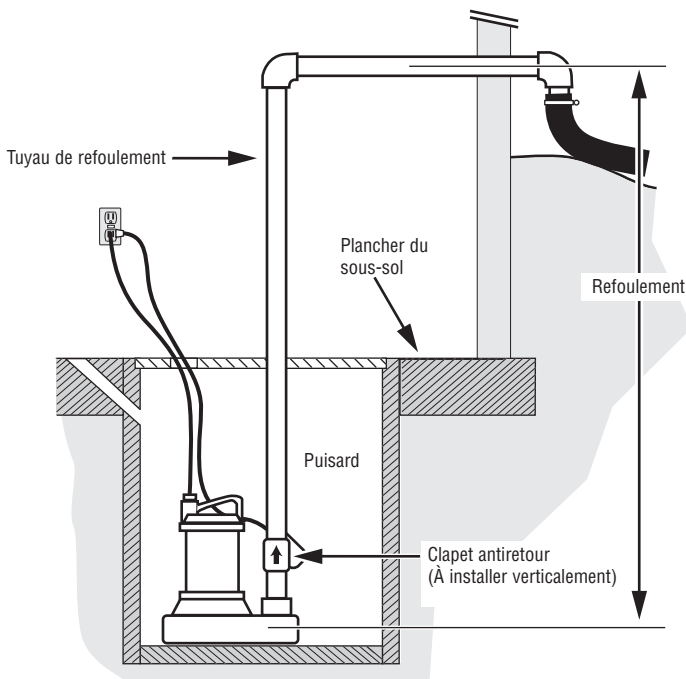
™ E.I. DuPont De Nemours and Company Corporation, Delaware.

## DÉBITS

GALLONS/MINUTE À LA HAUTEUR TOTALE DE REFOULEMENT (Se reporter à la Figure 7)					
Modèles	5 pi	10 pi	15 pi	20 pi	Aucun débit aux hauteurs indiquées ci-dessous
DÉBITS GALLONES/HEURE					
3983	4,020	3,540	3,000	1,800	26 pi
3984	4,020	3,540	3,000	1,800	26 pi
3985	4,380	3,840	3,300	2,340	28 pi
3986	4,380	3,840	3,300	2,340	28 pi
3988	4,700	4,100	3,500	2,820	29 pi

## CARACTÉRISTIQUES ÉLECTRIQUES ET DE L'INTERUPTEUR

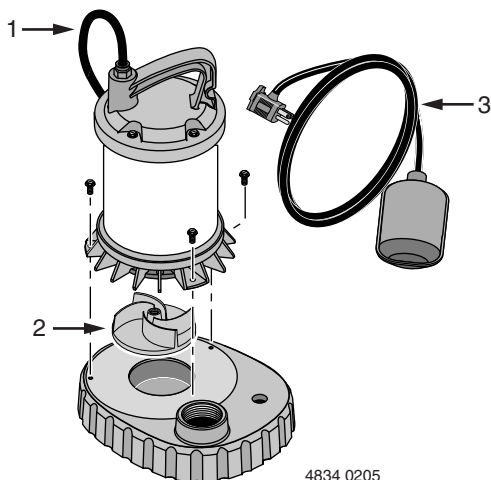
Modèles	ch	Ampères à pleine charge des moteurs	Circuit séparé requis (A)	*Réglages de l'interrupteur (en pouces)	
				Marche	Arrêt
3983	1/3	5,8	15	15 po	7 po
3984	1/3	5,8	15	6-1/2 po	3 po
3985	1/2	6,3	15	15 po	7 po
3986	1/2	6,3	15	6-1/2 po	3 po
3988	3/4	7,0	15	6-1/2 po	3 po



**Figure 7 – REFOULEMENT : C'est la distance verticale à laquelle la pompe refoulera l'eau. Plus le refoulement est haut, moins la pompe débite.**

**REMARQUE :** Sur de grandes longueurs de tuyaux, le frottement de l'eau circulant dans les tuyaux diminuera le débit.

3983, 3984  
3985, 3986  
3988



4834 0205

Réf.	Désignation des pièces	Qté	3983	3984	3985
1	Cordon électrique	1	PW17-281	PW17-281	PW17-281
2	Impulseur†	1	PS5-33P	PS5-33P	PS5-34P
3	Interrupteur à flotteur à cordon	1	FP18-15BD	–	FP18-15BD
•	Interrupteur à flotteur vertical	1	–	FPS17-66	–

Réf.	Désignation des pièces	Qté	3986	3988
1	Cordon électrique	1	PW17-281	PW17-281
2	Impulseur†	1	PS5-34P	PS5-35P
•	Interrupteur à flotteur vertical	1	FPS17-66	FPS17-66

• Pas illustré.

**REMARQUE** : Si le moteur tombe en panne, remplacer toute la pompe.

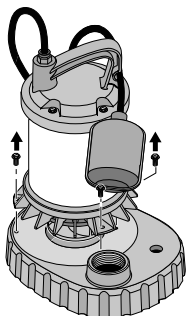
† Se reporter à la page 16 pour le remplacement de l'impulseur.

## TABLEAU DE DIAGNOSTIC DES PANNES

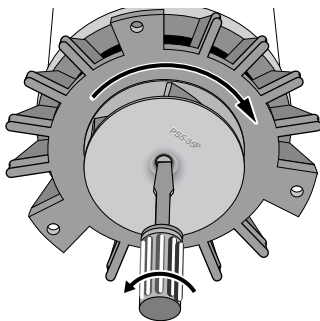
**⚠ AVERTISSEMENT** Risque de secousses électriques. Avant d'intervenir sur la pompe ou de la toucher, la débrancher.

INCIDENTS	CAUSES POSSIBLES	REMÈDES
La pompe ne démarre pas ou ne fonctionne pas.	Elle n'est pas branchée.  Le fusible est sauté. Tension de ligne basse.  Moteur défectueux. Interrupteur à flotteur défectueux. Impulseur bouché ou grippé.  Flotteur obstrué.	S'assurer que la pompe est branchée dans une prise de courant appropriée. Le remplacer par un fusible de calibre adéquat. Si la tension est inférieure à la tension minimum recommandée, vérifier le calibre du câblage côté disjoncteur principal de la propriété. Si tout est correct, s'adresser à la compagnie d'électricité. Remplacer la pompe. Le remplacer.  Si l'impulseur ne tourne pas, débrancher la pompe, déposer son corps inférieur et trouver la source de grippage. Au besoin, remplacer l'impulseur. Déplacer la pompe dans le puisard ou enlever l'obstruction.
La pompe démarre et s'arrête trop souvent.	Circulation à contre-courant de l'eau dans les tuyaux. Interrupteur à flotteur défectueux.	Poser un clapet antiretour ou remplacer l'ancien.  Le remplacer.
La pompe ne s'arrête pas.	Interrupteur à flotteur défectueux. Refolement obstrué (obstruction ou présence de glace dans les tuyaux). Flotteur obstrué. Crépine d'aspiration obstruée.	Le remplacer.  Débrancher la pompe, la sortir du puisard, puis la nettoyer ainsi que les tuyaux.  Déplacer la pompe dans le puisard ou enlever l'obstruction. Débrancher la pompe, la sortir du puisard, puis nettoyer la crépine d'aspiration et l'impulseur.
La pompe fonctionne mais débite que très peu ou pas du tout.	Tension de ligne basse.  Corps étrangers coincés dans l'impulseur. Pièces usées ou défectueuses ou impulseur bouché. Clapet antiretour ne comportant pas de trou de purge d'air.  Crépine d'aspiration obstruée. Clapet antiretour installé à l'envers.	Si la tension est inférieure à 110 volts, vérifier le calibre du câblage côté disjoncteur principal de la propriété. Si tout est correct, s'adresser à la compagnie d'électricité. Sortir la pompe du puisard et nettoyer l'impulseur.  Nettoyer l'impulseur s'il est bouché; le remplacer au besoin; sinon, remplacer la pompe. Percer un trou de 3 mm (1/8 de pouce) de diamètre entre le tuyau de refolement de la pompe et le clapet antiretour (entre 2,5 et 5 cm [1 et 2 pouces] au-dessus du refolement de la pompe, mais sous la ligne. Sortir la pompe du puisard et nettoyer la crépine d'aspiration. S'assurer que le clapet antiretour est installé comme il faut (la flèche indiquant le sens du débit doit être orientée à l'opposé de la pompe).

**Premièrement** : Couper le courant alimentant la pompe, débrancher le tuyau de refoulement, puis sortir la pompe du puisard EN LA SOULEVANT PAR SA POIGNÉE (pas par le cordon).



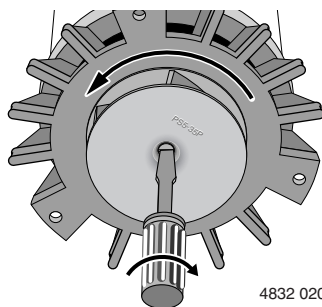
**Étape 1** : Déposer les trois vis de fixation du moteur sur le socle, puis dessolidariser le moteur du socle.



4831 0205

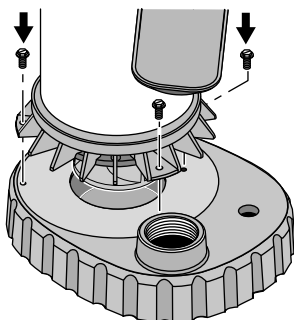
**Étape 2** : Immobiliser l'arbre du moteur avec un tournevis, puis dévisser l'impulseur comme illustré.

**REMARQUE** : Le filetage de l'impulseur à gauche, il faut donc le tourner à droite (↻) pour le dévisser.



4832 0205

**Étape 3** : Visser l'impulseur neuf sur l'arbre du moteur comme il est illustré (filetage à gauche – il faut donc le tourner à gauche (↺) pour le visser.



**Étape 4** : Remonter le moteur sur le socle. S'assurer de le monter de façon que l'interrupteur à flotteur ne soit pas en face du refoulement ni de toutes autres obstructions pouvant se trouver dans le puisard.

**Enfin** : Faire fonctionner la pompe sur un cycle complet après l'avoir remontée et réinstallée. Elle devrait fonctionner correctement et on ne doit pas entendre de bruit de frottement provenant de la pompe.



**ATTACHER LE REÇU D'ORIGINE ICI À DES FINS DE GARANTIE****Garantie limitée Simer**

SIMER garantit à l'acheteur-utilisateur initial de ses produits ("Acheteur") contre tout défaut de fabrication et de matériaux.

Tout produit reconnu défectueux dans les douze (12) mois qui suivent la date d'achat d'origine sera remplacé ou réparé à la discrétion de

SIMER, selon les conditions stipulées ci-dessous. La preuve d'achat est exigée pour déterminer l'admissibilité à la garantie.

**Exceptions à la garantie de douze (12) mois**

<b>Produits/N° de modèle</b>	<b>Période de garantie</b>
M40P, M40, BW85P, CM10, CMK	90 jours
2330, 2300, 2955, 2956, 2957, A5500	2 ans
4" Submersible Well Pumps, 3984, 3983, 2975PC, 2958, 3075SS	3 ans
Pre-Charge Water System Tank, 3986, 3985, 2956, 2960	5 ans
3988, 3995, 3997, 3963	À vie

**Conditions générales**

L'Acheteur s'engage à payer tous les frais de main-d'œuvre et d'expédition nécessaires au remplacement du produit couvert par la garantie. Cette garantie ne couvrira pas les cas de force majeure, et ne s'appliquera pas aux produits qui, du seul avis de SIMER, ont fait l'objet de négligence, d'utilisation abusive ou incorrecte, d'accident, de modification ou d'altération ; ni aux produits qui n'ont pas été installés, utilisés, entreposés ou entretenus correctement ; ni à ceux qui n'ont pas été utilisés ou entretenus normalement, y compris, mais sans s'y limiter, aux produits ayant des pannes de fonctionnement causées par la corrosion, la rouille ou autre corps étranger dans le système, ou à des produits ayant fonctionné à des pressions dépassant la limite maximale recommandée.

Les demandes de service en vertu de la présente garantie seront faites en retournant le produit défectueux au détaillant ou à SIMER dès la découverte de tout défaut allégué. SIMER prendra alors les mesures correctives aussi rapidement qu'il est raisonnablement possible. Aucune demande de service en vertu de la présente garantie ne sera acceptée si elle est reçue plus de 30 jours après l'expiration de la dite garantie.

La présente garantie énonce la totalité des obligations de SIMER et le seul recours possible de l'Acheteur dans le cas de produits défectueux.

**SIMER NE SERA TENU RESPONSABLE D'AUCUN DOMMAGE INDIRECT, ACCIDENTEL OU FORTUIT QUEL QU'IL SOIT.**

**LES PRÉSENTES GARANTIES SONT EXCLUSIVES ET TIENNENT LIEU DE TOUTE AUTRE GARANTIE EXPRESSE. LES GARANTIES IMPLICITES, Y COMPRIS, MAIS SANS S'Y LIMITER, LES GARANTIES IMPLICITES AYANT TRAIT À LA COMMERCIALISABILITÉ ET À L'ADAPTATION À UN USAGE PARTICULIER, NE DÉPASSERONT PAS LA DURÉE DES GARANTIES EXPRESSES APPLICABLES STIPULÉES DANS LES PRÉSENTES.**

Certaines provinces n'autorisent pas d'exclure ou de limiter les dommages fortuits ou indirects ou de limiter la durée d'une garantie implicite ; il se peut donc que les limitations ou exclusions ci-dessus ne s'appliquent pas à votre cas. La présente garantie vous donne des droits juridiques spécifiques et vous pouvez en avoir d'autres qui varient d'une province à l'autre.

**SIMER • 293 Wright Street • Delavan, WI U.S.A. 53115**

**Téléphone: 1-800-468-7867/1-800-546-7867 • Télécopieur: 1-800-390-5351**

**Courrier électronique: [info@simerpumps.com](mailto:info@simerpumps.com) • Site Web: <http://www.simerpumps.com>**

## DESCRIPCIÓN

Esta Bomba Sumergible para Sumideros ha sido diseñada para sumideros de tipo doméstico. El motor con condensador auxiliar permanente viene lleno de aceite, es hermético para un funcionamiento más frío y tiene un dispositivo de protección térmica con reposición automática. Los cojinetes de bola en el eje del motor nunca necesitan lubricación. El cordón eléctrico es trifilar, con puesta a tierra.

## ESPECIFICACIONES

Fuente de alimentación .....115V, 60 HZ.,  
 .....Circuito de 15 amperios  
 Gama de temperatura del líquido .....32°F a 70°F (0°-21°C)  
 Requiere un ramal individual (min.) .....15 Amperios  
 Descarga: .....1-1/2" hembra NPT

Esta bomba ha sido diseñada sólo para uso en sumideros domésticos. Bombee solamente agua con esta bomba.

**AVISO:** ¡Esta unidad no ha sido diseñada para aplicaciones con agua salada o salmuera! El uso con agua salada o salmuera invalidará la garantía.

**AVISO:** Es importante leer este Manual del Propietario con información sobre la instalación, la operación y la seguridad.

## INFORMACIÓN GENERAL SOBRE LA SEGURIDAD

Su bomba automática de sumidero le deberá proporcionar muchos años de servicio sin problemas cuando se instale, mantenga y se use correctamente. Sin embargo, la interrupción de alimentación eléctrica a la bomba, suciedad y escombros en el sumidero, inundaciones que sobrepasen la capacidad de la bomba, fallas eléctricas o mecánicas en la bomba, etc. pueden impedir que ésta funcione normalmente. Para ayudar a evitar daños provocados por inundaciones, adquiera una bomba de sumidero secundaria de CA, una bomba de sumidero de respaldo de CC, y/o un sistema de alarma por nivel alto de agua. Consulte el "Cuadro de Localización de Fallas" en este manual para obtener información sobre los problemas comunes con las bombas de sumidero y sus soluciones. Para obtener más información, llame al departamento de atención al cliente de Simer, 1-800-468-7867.

**⚠ ADVERTENCIA** Tensión peligrosa. Para reducir el peligro de choque eléctrico, siga las instrucciones de A hasta D que aparecen a continuación:

- A. Esta bomba tiene un cordón eléctrico aprobado de 3 conductores con 3 puntas y ficha con un hilo a tierra. Conecte la bomba sólo a un tomacorriente de tres puntas debidamente puesto a tierra. Si el circuito de la bomba de sumidero tiene un tomacorriente de 2 puntas, reemplácelo con uno de 3 puntas instalado conforme a las normas.
- B. Desenchufe la bomba antes de manipularla o realizar trabajos de reparación o mantenimiento. Si el piso de su sótano está mojado, desconecte la corriente eléctrica antes de caminar sobre el mismo. Si la caja de desconexión está en el sótano, llame a su empresa o autoridad de servicio eléctrico para que corte el servicio a la casa, o llame a su departamento local de bomberos para obtener instrucciones al respecto. Después de desconectar la corriente eléctrica, saque la bomba para realizar los trabajos de reparación o mantenimiento.

- C. Proteja los cordones eléctricos de objetos filosos, superficies calientes, aceite y sustancias químicas. Evite torcer los cordones. Reemplace todo cordón averiado o gastado.

- D. No levante la bomba por medio del cordón.

**⚠ ADVERTENCIA** El adhesivo para tuberías de plástico es extremadamente inflamable. Siga las instrucciones del fabricante del adhesivo cuando ensamble tuberías de plástico adheridas con pegamento.

**⚠ PRECAUCIÓN** Peligro de quemaduras. Los motores modernos pueden calentarse durante el funcionamiento. Deje que se enfríen durante unos 20 minutos antes de manipularlos.

1. Conozca el uso de la bomba, sus limitaciones y posibles peligros.
2. No use esta bomba en agua con peces.
3. Drene completamente el sistema antes de realizar trabajos de reparación.
4. Para evitar que una tubería flexible de descarga salte y golpee, lo que provocaría lesiones o daños, sujétela antes de encender la bomba.
5. Antes de cada uso, verifique que las mangueras en el sistema no estén débiles ni gastadas. Verifique que todas las conexiones estén firmes.
6. Periódicamente, verifique que no haya suciedad ni objetos extraños en la bomba y en las tuberías. Realice los trabajos de limpieza de rutina según se requiera.
7. Seguridad personal:
  - a. Use gafas de seguridad en todo momento cuando trabaje con bombas.
  - b. Mantenga su área de trabajo limpia, despejada y debidamente iluminada; guarde toda herramienta o aparato que no esté usando.
  - c. Mantenga a los visitantes a una distancia segura del área de trabajo.
  - d. Asegúrese de que su taller sea a prueba de niños, con candados e interruptores maestros. Retire toda llave de ignición.
8. La instalación de esta bomba debe cumplir con todas las leyes, normas y reglamentos correspondientes.

### Herramientas requeridas:

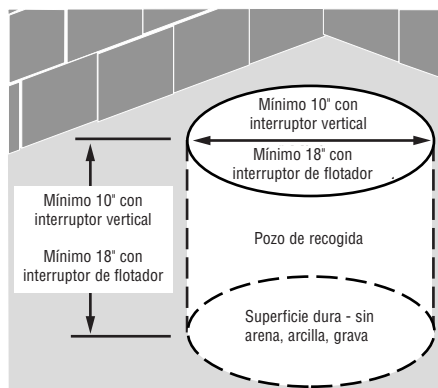
Llave para tuberías, llave de correa o pinzas corredizas, sierra para metales, destornillador, lima o papel de lija.

### Materiales requeridos:

Tubo de ABS o de PVC de 1-1/2" con el cemento correspondiente

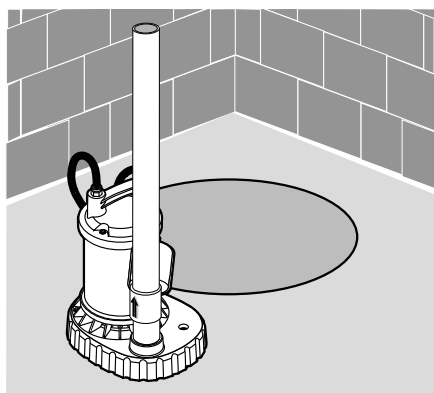
Adaptador fileteado (tubo a bomba)

Válvula de retención - Adquiera una válvula de retención para la línea de descarga o la descarga de la bomba. Si su válvula de retención no tiene un orificio anti-bolsas de aire de 1/8", perforo uno en la tubería de descarga justo por debajo de la válvula de retención. Asegúrese de haber instalado la válvula de retención de manera que el flujo se aleje de la bomba.



**Figura 1**

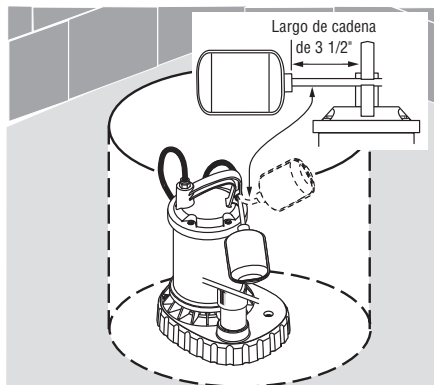
- 1A. Tamaño mínimo del sumidero:
  - 10" (254 mm) de diámetro por 10" (254 mm) de profundidad para modelos con interruptor vertical;
  - 14" (356 mm) de diámetro por 18" (457 mm) de profundidad para modelos con interruptor anclado.
- 1B. Construya el foso de recogida de losetas, hormigón, acero o plástico, conforme a los requerimientos normativos.
- 1C. No use arcilla, tierra, arena ni grava en el sumidero (obstruirán la bomba). Mantenga la malla de admisión de la bomba despejada.



**Figura 2**

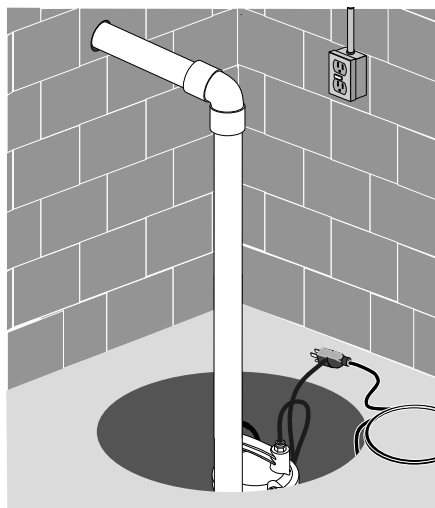
- 2A. Instale la plomería de descarga y la válvula de retención usando cinta de teflón - NO un compuesto para juntas de tuberías.
- 2B. Apriete la tubería en la bomba (a mano + 1-1/2 de vueltas).
- 2C. Instale una válvula de retención en la tubería vertical para evitar el retroflujo por la bomba cuando ésta se apague. **Para evitar la creación de bolsas de aire en la bomba,** perforo un orificio de 1/8" (3.2 mm) en la tubería de descarga, justo por encima de donde se atornilla en la descarga de la bomba. Instale la válvula de retención por encima de este orificio, pero manténgalo tan cerca de la bomba como sea posible. Verifique que el orificio se encuentre debajo de la línea de agua y por debajo de la válvula de retención.

- 2D. Para reducir el ruido y las vibraciones, corte la tubería de descarga cerca de la bomba y fije un tramo de manguera de caucho corto (1-7/8" (48 mm) de diámetro interior, por ejemplo una manguera de radiador) en la misma con abrazaderas para manguera.



**Figura 3**

3. Coloque la bomba en el sumidero; verifique que nada interfiera con el funcionamiento del interruptor. Para modelos de interruptores anclado, el largo de la cadena debe estar de 3 1/2" (Consultar la figura 3).



**Figura 4**

4. Termine de instalar la plomería necesaria. Siga las instrucciones del fabricante del pegamento con respecto a las precauciones por seguridad y al tiempo de endurecimiento.

**⚠ PRECAUCIÓN Peligro de inundación. Asegúrese de que la bomba no se pueda mover dentro del sumidero. Si la bomba se mueve al funcionar, la tubería o la pared del sumidero podrán interferir con el interruptor e impedir que la bomba se encienda o se apague.**

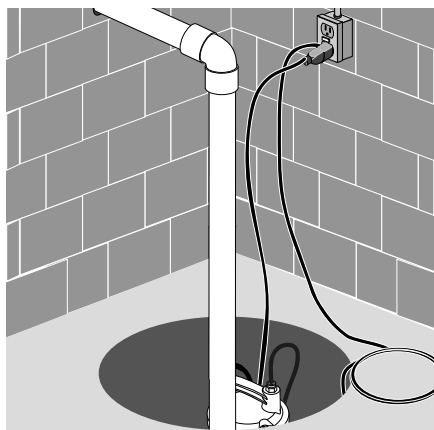


Figura 5

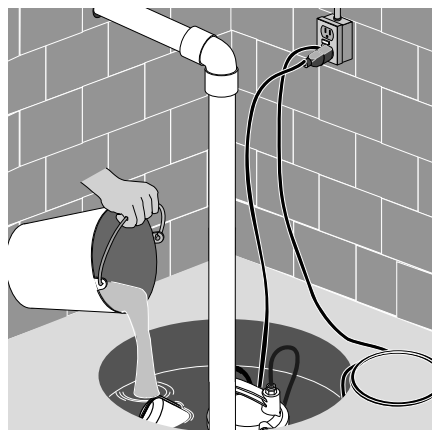


Figura 6

- 5A. Fuente de alimentación: Esta bomba requiere un ramal individual de 115 V., 60 Hz., 15 amperios. El circuito debe estar puesto a tierra y debe estar dedicado a la bomba de sumidero.
- 5B. La bomba viene provista de un juego de cordón trifilar con ficha con un hilo a tierra. Enchufe el interruptor directamente en el tomacorriente y enchufe la bomba en el extremo opuesto de la ficha del interruptor.

**ADVERTENCIA** Peligro de choque eléctrico. Siempre conecte la bomba a tierra por medio de una masa eléctrica adecuada, como una tubería de agua conectada a tierra, una canalización metálica debidamente conectada a tierra, o un sistema de cable a tierra. No corte la punta redonda de conexión a tierra.

- 6A. Después de haber instalado la tubería, la válvula de retención y el interruptor de flotador, la bomba estará lista para funcionar.
- 6B. Inspeccione la bomba llenando el sumidero de agua y observando su funcionamiento por un ciclo completo. Para obtener información sobre las graduaciones del interruptor, consulte el cuadro de Especificaciones Eléctricas y del Interruptor en la página 21.

**ADVERTENCIA** Si no se realiza esta inspección del funcionamiento, existe el riesgo de un funcionamiento inadecuado, fallas prematuras e inundación.

1. La junta del eje depende del agua para su lubricación. No opere esta bomba a menos que esté sumergida en agua, ya que su marcha en seco puede dañar la junta.
2. Si la bomba se recalienta, un dispositivo protector térmico con reposición automática desconecta la corriente eléctrica y detiene el motor antes de que se pueda dañar. El motor se volverá a encender automáticamente cuando se enfríe. Si el protector se dispara repetidamente, desenchufe la bomba, sáquela del sumidero y verifique cuál puede ser la causa de la dificultad. Una baja tensión, cordones largos de alargue, un impulsor obstruido, muy poco levante, una tubería de descarga obstruida o congelada, etc., todo puede provocar la activación de los ciclos y el recalentamiento
3. Esta bomba no extraerá toda el agua del sumidero. Si usted está usando la bomba en forma manual y deja de salir agua de la descarga, es probable que la bomba esté seca. Apáguela inmediatamente y verifique el nivel del agua.

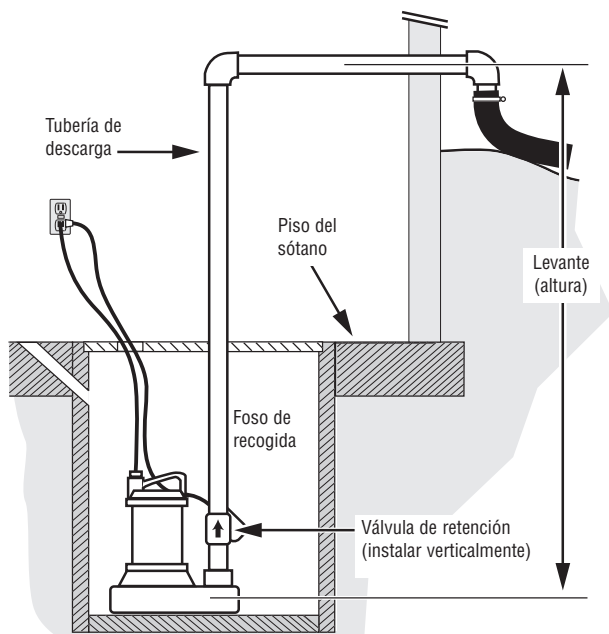
™ E.I. DuPont De Nemours and Company Corporation, Delaware.

## DESEMPEÑO

GPH AL TOTAL DE ALTURA DE LEVANTE EN PIES (Consultar la Figura 7)					
Modelo	5 pies	10 pies	15 pies	20 pies	No hay flujo a la altura indicada abajo
CAPACIDAD GALONES/HORA					
3983	4,020	3,540	3,000	1,800	26'
3984	4,020	3,540	3,000	1,800	26'
3985	4,380	3,840	3,300	2,340	28'
3986	4,380	3,840	3,300	2,340	28'
3988	4,700	4,100	3,500	2,820	29'

## ESPECIFICACIONES ELÉCTRICAS Y DEL INTERRUPTOR

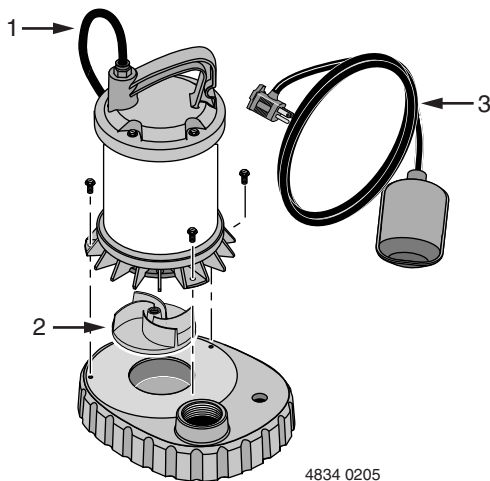
Modelo	Motor HP	Carga total del motor Amperios	Ramal Individual Requerido (amperios)	*Graduación del interruptor en pulgadas Nivel del agua para:	
				Encendido	Apagado
3983	1/3	5.8	15	15"	7"
3984	1/3	5.8	15	6-1/2"	3"
3985	1/2	6.3	15	15"	7"
3986	1/2	6.3	15	6-1/2"	3"
3988	3/4	7.0	15	6-1/2"	3"



**Figura 7 – LEVANTE (ALTURA):** El levante (la altura) es la distancia vertical efectiva a la cual la bomba levanta el agua. Cuanto más alto sea el levante, menor será el flujo.

**NOTA:** La fricción provocada por el agua que corre a través de la tubería también reducirá el flujo en trayectos largos de tubería.

3983, 3984  
3985, 3986  
3988



4834 0205

Clave No.	Descripción de la pieza	Cant.	3983	3984	3985
1	Unidad del cordón eléctrico	1	PW17-281	PW17-281	PW17-281
2	Impulsor†	1	PS5-33P	PS5-33P	PS5-34P
3	Unidad del interruptor de flotador anclado	1	FP18-15BD	–	FP18-15BD
•	Unidad del interruptor de flotador vertical	1	–	FPS17-66	–

Clave No.	Descripción de la pieza	Cant.	3986	3988
1	Unidad del cordón eléctrico	1	PW17-281	PW17-281
2	Impulsor†	1	PS5-34P	PS5-35P
•	Unidad del interruptor de flotador vertical	1	FPS17-66	FPS17-66

• No se ilustra.

**NOTA:** Si falla el motor, reemplace toda la bomba.

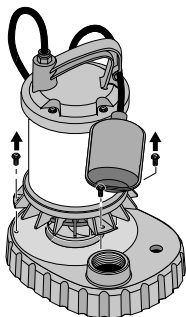
† Consulte la página 24 para obtener las instrucciones sobre cómo reemplazar el impulsor.

**CUADRO DE LOCALIZACIÓN DE FALLAS**

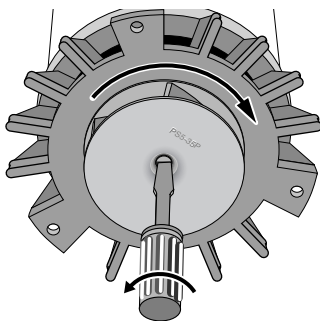
**⚠ ADVERTENCIA** Peligro de choque eléctrico. Desenchufe la bomba antes de tocarla o de realizar trabajos de reparación o mantenimiento.

SÍNTOMA	CAUSA(S) PROBABLE(S)	MEDIDA CORRECTIVA
La bomba no se enciende o no marcha.	La bomba no está enchufada.  Fusible quemado. Baja tensión de línea.  Motor defectuoso. Interruptor de flotador defectuoso. Impulsor obstruido o atascado.  Flotador obstruido.	Verifique que la bomba este enchufada en un tomacorriente adecuado. Reemplace el fusible por un fusible del tamaño correcto. Verifique el tamaño de los cables en el circuito que alimenta a la bomba y desde el interruptor principal en la propiedad. Si todo es correcto, comuníquese con la empresa o autoridad de energía eléctrica. Reemplace la bomba. Reemplace el interruptor de flotador. Si el impulsor no marcha, desenchufe la bomba, saque la unidad inferior de la bomba y ubique el origen del atascamiento. De ser necesario, reemplace el impulsor. Mueva la bomba en el sumidero o elimine la obstrucción.
La bomba se enciende y se detiene con demasiada frecuencia.	Retroflujo de agua desde la tubería.  Interruptor de flotador defectuoso.	Instale o reemplace la válvula de retención.  Reemplace el interruptor de flotador.
La bomba no se apaga.	Interruptor de flotador defectuoso. Descarga restringida (obstáculo o hielo en la tubería). Flotador obstruido. Malla de admisión restringida.	Reemplace el interruptor de flotador. Desenchufe la bomba, sáquela del sumidero y limpie la bomba y la tubería. Mueva la bomba en el sumidero o elimine la obstrucción. Desenchufe la bomba, sáquela del sumidero y limpie la malla de admisión y el impulsor.
La bomba funciona pero entrega poco o nada de agua.	Baja tensión de línea.  Escombros atrapados en el impulsor. Piezas gastadas o defectuosas o impulsor obstruido. Válvula de retención instalada sin orificio de ventilación.  Malla de admisión restringida. Válvula de retención instalada al revés o boca abajo.	Si la tensión es inferior a 110 voltios, verifique el tamaño de los cables desde el interruptor principal en la propiedad. Si es el correcto, comuníquese con la empresa o autoridad de servicio de energía eléctrica. Saque la bomba y limpie el impulsor.  Limpie el impulsor si está obstruido, de ser necesario, reemplace el impulsor; de lo contrario, reemplace la bomba. Perfore un orificio de 1/8" (3 mm) de diámetro entre la descarga de la bomba y la válvula de retención (1-2' por encima de la descarga de la bomba y por debajo de la línea de agua). Saque la bomba y limpie la malla de admisión. Verifique que la válvula de retención se haya instalado correctamente (la flecha del flujo debe apuntar <i>en dirección</i> contraria a la bomba).

**Primero:** Desconecte el suministro de corriente eléctrica a la bomba, desconecte la tubería de descarga, levante y saque la bomba del sumidero POR MEDIO DEL MANGO QUE SE ENCUENTRA EN LA PARTE SUPERIOR DEL MOTOR (no por medio del cordón).



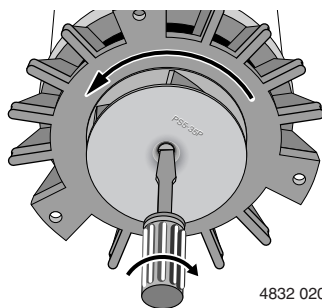
**Paso 1:** Saque los tres tornillos que sujetan el motor a la base y levante el motor de la base.



4831 0205

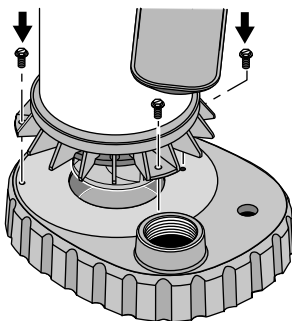
**Paso 2:** Sostenga el eje del motor con un destornillador y destornille el impulsor según se ilustra.

**NOTA:** El impulsor tiene una **rosca izquierda**, de manera que se afloja hacia la derecha (↻).



4832 0205

**Paso 3:** Enrosque el nuevo impulsor en el eje del motor según se ilustra (**rosca izquierda** – se aprieta hacia la izquierda).



**Paso 4:** Vuelva a montar el motor en la base. Verifique que se haya colocado de manera que el interruptor quede despejado de la descarga y de toda otra obstrucción en el sumidero.

**Por último:** Haga marchar la bomba por un ciclo completo después de haberla ensamblado y reinstalado. Deberá funcionar correctamente y no se deberán escuchar chirridos ni sonidos de arrastre desde la bomba.



**ADHIERA AQUÍ EL RECIBO ORIGINAL PARA VALIDACION DE GARANTÍA****Garantía Limitada de Simer**

SIMER garantiza al comprador consumidor original ("Comprador") de sus productos, que éstos se encuentran libres de defectos de material o mano de obra.

Si dentro de los doce (12) meses de la fecha original de la compra cualquiera de los productos demostrara estar defectuoso, el mismo será reparado o reemplazado, a opción de SIMER con sujeción a los términos y condiciones expuestos a continuación. Se requiere su recibo original de compra para determinar si se encuentra bajo garantía.

**Excepciones a la Garantía por Doce (12) Meses**

<b>Producto/Modelo No.</b>	<b>Período de garantía</b>
M40P, M40, BW85P, CM10, CMK	90 días
2330, 2300, 2955, 2956, 2957, A5500	2 años
4" Submersible Well Pumps, 3984, 3983, 2975PC, 2958, 3075SS	3 años
Pre-Charge Water System Tank, 3986, 3985, 2956, 2960	5 años
3988, 3995, 3997, 3963	De por vida

**Términos y Condiciones Generales**

El comprador debe pagar todos los gastos de mano de obra y transporte necesarios para reemplazar el producto cubierto por esta garantía. Esta garantía no se aplicará a hechos de fuerza mayor, ni se aplicará a los productos que, a juicio exclusivo de SIMER, hayan sido objeto de negligencia, abuso, accidente, aplicaciones contraindicadas, manejo indebido, alteraciones; ni debido a instalación, funcionamiento, mantenimiento o almacenaje incorrectos; ni a ninguna otra cosa que no sea su aplicación, uso o servicio normales, incluyendo, pero no limitado a, fallas operacionales causadas por corrosión, oxidación u otros elementos extraños en el sistema, o funcionamiento a presión por encima del máximo recomendado.

Los pedidos de servicio bajo los términos de esta garantía serán efectuados mediante la devolución del producto defectuoso al Vendedor o a SIMER, tan pronto como sea posible, después de localizado cualquier supuesto defecto. SIMER tomará luego acción correctiva, tan pronto como sea razonablemente posible. Ningún pedido de servicio bajo esta garantía será aceptado si se recibe más de 30 días después del término de la garantía.

Esta garantía establece la obligación única de SIMER y el remedio exclusivo del comprador en el caso de productos defectuosos.

**SIMER NO SERÁ RESPONSABLE POR NINGÚN DAÑO CONSECUENTE, INCIDENTAL O CONTINGENTE DE NINGUNA NATURALEZA.**

**LAS GARANTÍAS ANTERIORES SON EXCLUSIVAS Y REEMPLAZAN CUALESQUIERA OTRAS GARANTÍAS EXPRESAS. LAS GARANTÍAS IMPLÍCITAS, INCLUYENDO, PERO NO LIMITADAS A, LAS GARANTÍAS IMPLÍCITAS DE COMERCIABILIDAD Y APTITUD PARA UN PROPÓSITO EN PARTICULAR, NO DEBERÁN EXCEDER EL PERÍODO DE DURACIÓN DE LAS GARANTÍAS EXPRESAS APLICABLES AQUÍ PROVISTAS.**

Algunos estados no permiten la exclusión o limitación de daños incidentales o consecuentes ni las limitaciones respecto a la duración de garantías implícitas; de modo que las limitaciones o exclusiones precedentes pueden no aplicarse en su caso. Esta garantía le concede derechos legales específicos. Usted puede tener, además, otros derechos que varían de un estado a otro.

**SIMER • 293 Wright Street • Delavan, WI U.S.A. 53115**

**Teléfono: 1-800-468-7867/1-800-546-7867 • Fax: 1-800-390-5351**

**e-Mail (correo electrónico): [info@simerpumps.com](mailto:info@simerpumps.com) • Dirección web:**

**<http://www.simerpumps.com>**





