

# 1/2 HP THERMOPLASTIC SUBMERSIBLE SUMP PUMP

# blueangel<sup>™</sup> PUMPS

The Professional's Line



• **60 GPM @ 5'**

• **Reliable, Reinforced Thermoplastic Volute**

• **Stainless Steel Fasteners**

• **Oil-Filled, Thermally Protected Motor Prevents Overheating**

• **Reliable, Reinforced Poly-Carbonate Impeller**

• **Top Suction Screen Filters Debris**

• **High Capacity 1-1/2" NPT Discharge**

• **Will Replace Most Submersible Sumps Without Any Plumbing Changes**

**1**  
YEAR  
Warranty

BSPF50 Shown

[www.blueangelpumps.com](http://www.blueangelpumps.com)

# 1/2 HP THERMOPLASTIC SUBMERSIBLE SUMP PUMP



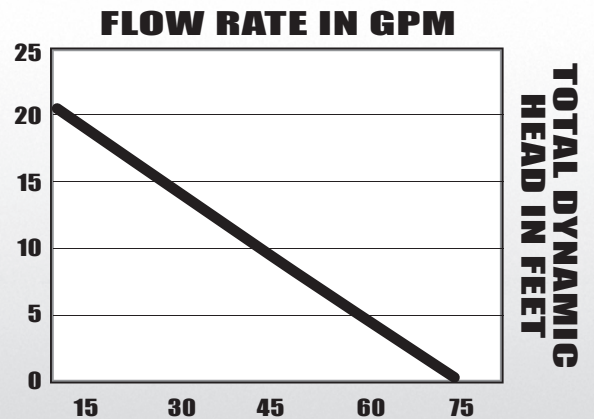
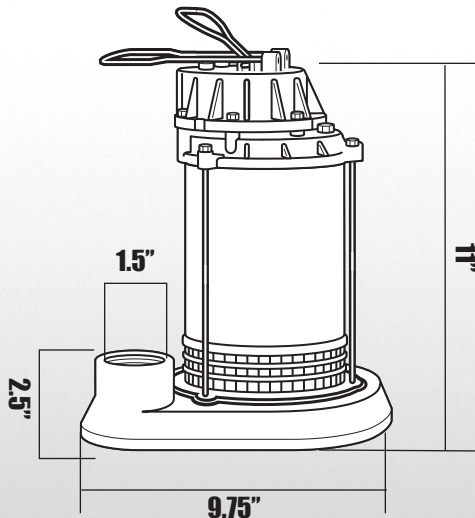
## BSPF50

- Vertical Float Switch
- 8', SJTW Power Cord
- 11" or Wider Sump Basins
- ON Level at 9" / OFF Level at 4"
- Shipping Weight, 16 lbs
- 1 Year Warranty



## BSPT50

- Piggy-Back Tether Float Switch
- 8', SJTW Power Cord
- 14" or Wider Sump Basins
- ON Level at 13" / OFF Level at 7"
- Shipping Weight, 16 lbs
- 1 Year Warranty



### MOTOR SPECIFICATIONS

MOTOR	RPM	VOLTS	AMPS	Hz
Shaded Pole	1550	120	10	60

### PERFORMANCE

DISCHARGE HEAD	5'	10'	15'	20'
Gallons/Minute	60	47	30	8

FOR PUMP AND SYSTEM ACCESSORIES SEE ACCESSORIES SECTION  
 BLUE ANGEL™ PUMPS • 101 Production Drive • Harrison, OH 45030 • 1-888-636-6628

© 2008 Blue Angel Pumps All Rights Reserved

