

1/3 HP THERMOPLASTIC SUBMERSIBLE SUMP PUMP

blueangel[™] PUMPS

The Professional's Line



• **55 GPM @ 5'**

• **Reliable, Reinforced Thermoplastic Volute**

• **Stainless Steel Fasteners**

• **Oil-Filled, Thermally Protected Motor Prevents Overheating**

• **Reliable, Reinforced Poly-Carbonate Impeller**

• **Top Suction Screen Filters Debris**

• **High Capacity 1-1/2" NPT Discharge**

• **Will Replace Most Submersible Sumps Without Any Plumbing Changes**

1
YEAR
Warranty

BSPF33 Shown

www.blueangelpumps.com

1/3 HP THERMOPLASTIC SUBMERSIBLE SUMP PUMP



BSPM33

- Manual Operation
- 20', SJTW Power Cord
- 11" or Wider Sump Basins
- Shipping Weight, 15 lbs
- 1 Year Warranty

NOTE: Use With Single or Double Piggy-Back Float Switch or Control Panel



BSPF33

- Vertical Float Switch
- 8', SJTW Power Cord
- 11" or Wider Sump Basins
- ON Level at 9" / OFF Level at 4"
- Shipping Weight, 15 lbs
- 1 Year Warranty



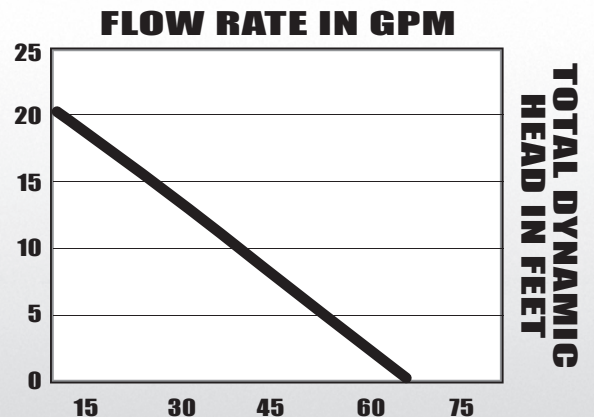
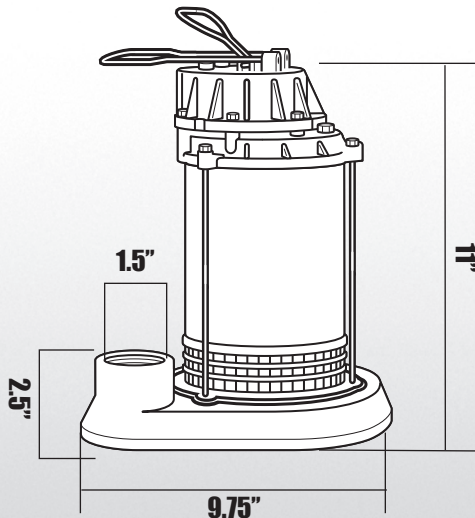
BSPT33

- Piggy-Back Tether Float Switch
- 8', SJTW Power Cord
- 14" or Wider Sump Basins
- ON Level at 13" / OFF Level at 7"
- Shipping Weight, 15 lbs
- 1 Year Warranty



BSPT33-2

- Piggy-Back Tether Float Switch
- 20', SJTW Power Cord
- 14" or Wider Sump Basins
- ON Level at 13" / OFF Level at 7"
- Shipping Weight, 15 lbs
- 1 Year Warranty



MOTOR SPECIFICATIONS

MOTOR	RPM	VOLTS	AMPS	Hz
Shaded Pole	1550	120	9.5	60

PERFORMANCE

DISCHARGE HEAD	5'	10'	15'	20'
Gallons/Minute	55	42	23	2

FOR PUMP AND SYSTEM ACCESSORIES SEE ACCESSORIES SECTION
 BLUE ANGEL™ PUMPS • 101 Production Drive • Harrison, OH 45030 • 1-888-636-6628

© 2008 Blue Angel Pumps All Rights Reserved

