

*"QUALITY PUMPS SINCE 1939"*

Product information presented here reflects conditions at time of publication. Consult factory regarding discrepancies or inconsistencies.

**ZOELLER**  
PUMP CO.



SECTION: 2.20.007

FM2419

1109

Supersedes

1108

MAIL TO: P.O. BOX 16347 • Louisville, KY 40256-0347  
SHIP TO: 3649 Cane Run Road • Louisville, KY 40211-1961  
(502) 778-2731 • 1 (800) 928-PUMP • FAX (502) 774-3624

visit our web site:  
[www.zoeller.com](http://www.zoeller.com)

## COMPARE THESE FEATURES

### MOTOR:

115 Volts, single phase, 60 Hz, ¼ HP, 3.8 amps, 3450 RPM, oil-filled, hermetically sealed, automatic reset thermal overload protected.

### MOTOR HOUSING:

Rugged cast iron motor housing with rust resistant baked-on enamel finish.  
Efficient heat sink for heat dissipation.

### BASE/PUMP HOUSING:

Glass-filled polypropylene with no screen.  
Passes 3/8" spherical solids.

### IMPELLER:

Non-Clog vortex impeller, engineered glass-filled thermoplastic with metal insert.

### POWER CORD:

UL Listed 9 ft., 3-wire cord and plug.

### SWITCH:

Reliable tethered float switch.

### SEALS:

Carbon & ceramic rotary seal.  
Watertight neoprene seal between motor and cover.

### FASTENERS:

Stainless steel screws and hardware.

### TEMPERATURE RATING:

104°F (40°C).

### CYCLE:

On point: 11-1/4" • Off Point - 4-1/8"

### DIMENSIONS:

Maximum width: 8-3/32" • Height: 10-1/2"  
Weight: 11.0 lbs • Fits 12" Diameter Pits.

100% Factory Tested After Assembly

**ZOELLER**  
PUMP CO.



Manufacturers of . . .

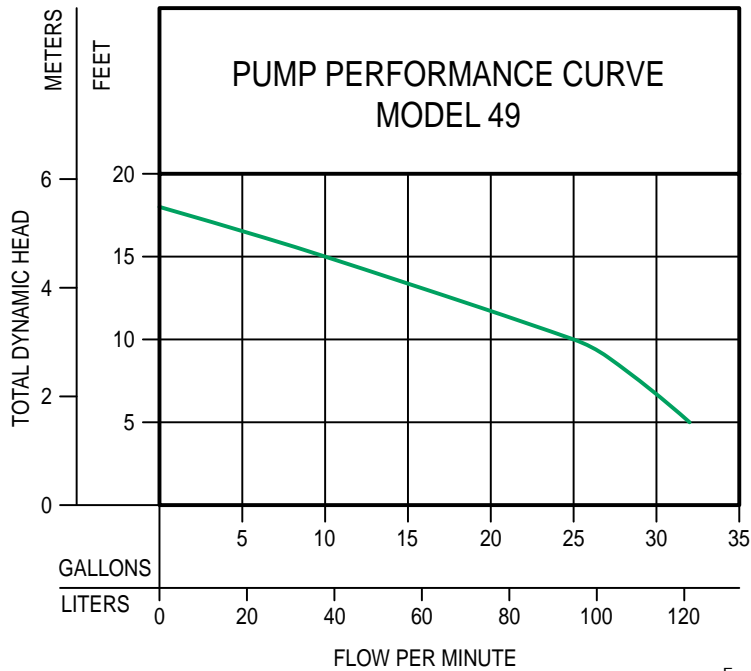
*"QUALITY PUMPS SINCE 1939"*

## 49 Cast Iron Series **Water Ridd'r III**

**SUBMERSIBLE PUMP**  
DEWATERING (SUMP)  
PASSES 3/8" SPHERICAL SOLIDS  
1½" NPT Discharge



Available Model:  
Automatic only



**TOTAL DYNAMIC HEAD/FLOW  
PER MINUTE  
DEWATERING ONLY**

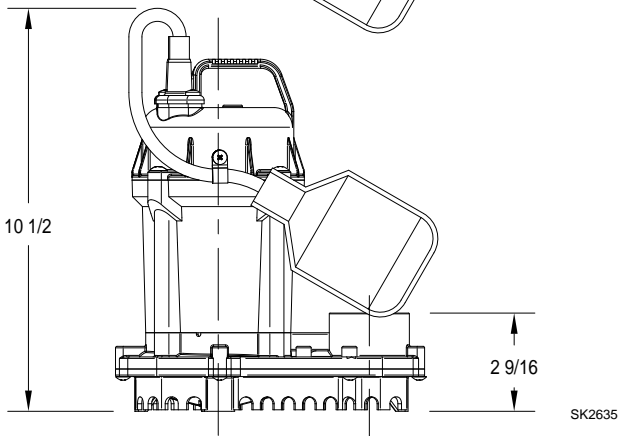
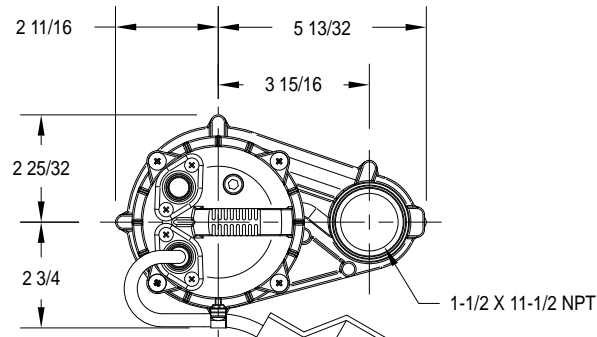
MODEL		49	
Feet	Meters	Gal.	Liters
5	1.5	32	121
10	3.0	25	95
15	4.6	10	38
Shut-off Head:		18 ft. (5.5m)	

018141

For information on additional Zoeller products refer to catalog on Sump/Sewage Basins, FM0487; Alarm Systems, FM0732; and Disconnect/Rail Systems, FM0787.

**CAUTION**

All installation of controls, protection devices and wiring should be done by a qualified licensed electrician. All electrical and safety codes should be followed including the most recent National Electrical Code (NEC) and the Occupational Safety and Health Act (OSHA).



**"Easy assembly"**  
(pump & discharge pipe not included.)

**OPTIONAL PUMP STAND P/N 10-2421**

- Reduces potential clogging by debris.
- Replaces rocks or bricks under the pump.
- Made of durable, noncorrosive ABS.
- Raises pump 2" off bottom of basin.
- Provides the ability to raise intake by adding sections of 1 1/2" or 2" PVC piping.
- Attaches securely to pump.
- Accommodates sump, dewatering and effluent applications.

NOTE: Make sure float is free from obstruction.

**RESERVE POWERED DESIGN**

For unusual conditions a reserve safety factor is engineered into the design of every Zoeller pump.



www.zoeller.com



MAIL TO: P.O. BOX 16347  
Louisville, KY 40256-0347  
SHIP TO: 3649 Cane Run Road  
Louisville, KY 40211-1961  
(502) 778-2731 • 1 (800) 928-PUMP  
FAX (502) 774-3624

Manufacturers of . .

*"QUALITY PUMPS SINCE 1939"*